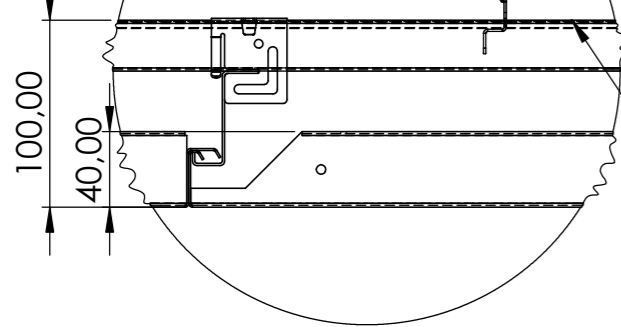


DETAIL
SCALE 1 : 4



WHEN INSTALLING THE FALSE CEILING,
CONSIDER AT LEAST 120MM FOR
THE ASSEMBLY OF THE PRIMARY STRUCTURE

#	ITEM	Description	Qty.
1	W_SF_DP16_3000	C62 PRIMARY PROFILE	3
2	W_NON-LOW-C62	NONIUS HANGER LOWER PART C62 PROFILE	9
3	W_NON-UP500	NONIUS HANGER UPPER PART L=500	9
4	W_NON-MOLL	SAFETY PIN FOR NONIUS SYSTEM	18
5	W_EXP-BOLT_M6x30	EXPANSION BOLT M6x30	18
6	W_PJ_AS11	"J" PROFILE	5
7	W_PEND_PJ_62x27	C62 - "J" PROFILE HANGER	15
8	W_HOOK-ON_600x600_h40	HOOK-ON SYSTEM PANEL 600x600 H40	20

Material:		Part number: HOOK-ON_SYSTEM_600x600_AS	
Finish:		Description: HOOK-ON SYSTEM 600x600	
Unless Otherwise Stated: Linear Tol.: ± 0.2 , Angular Tol.: $0^{\circ}15'$ Surface Finish: $0.8\mu\text{m}$ All Dimensions: mm Drawing Scale: 1:50		This drawing and any information or descriptive material set out on it are the confidential and copyright property of TRE C and MUST NOT BE DISCLOSED, COPIED, LOANED in whole or part or used for any purpose without our written permission.	
Approx Weight: Kg		Drawing Produced In Accordance With: ISO 128	
Projection Method: FIRST ANGLE		Sheet Size: A3	
TRE C		false ceiling systems insulating panels soundproofing cabins Via Piani dei Resinelli, 9 22036 Erba(CO) ITALY www.trec.it - info@trec.it	
Drawn by: sergio.avaro		Drawn Date: 07/02/2024	
Checked/Approved by: alessio.maggi		Approved Date: 07/02/2024	
Drawing number:		Revision:	
		1 of 1	