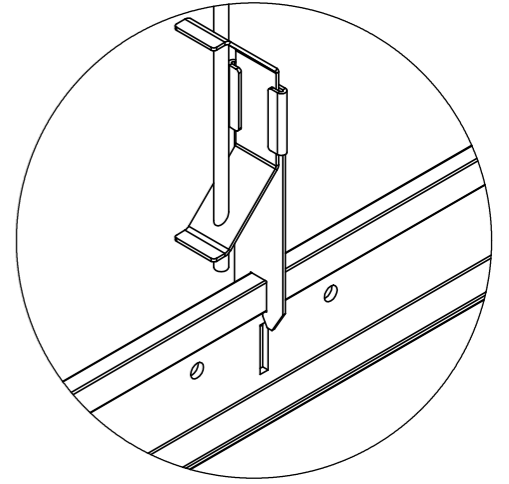
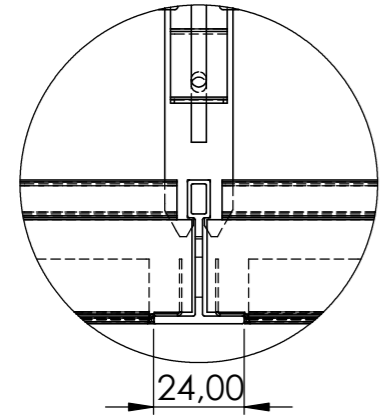

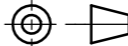
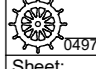


T24 COPLANAR



#	ITEM	Description	Qty.
1	W_T24_PORT_38x24_3600	T24 PRIMARY RUNNER L=3600	3
5	W_T24_INT_38x24x1200	T24 SECONDARY RUNNER L=1200	12
6	W_T24_INT_38x24x600	T24 SECONDARY RUNNER L=600	10
7	ST24_R0_A90_06000600	T24 SYSTEM 600x600 COPLANAR	20
8	W_T24_SOSP-DIR_MOLL	SPRING SUSPENSION T24 PROFILE WIRE HANGER	9
9	W_PEND_300_SUP_HOOK	METALLIC WIRE HANGER 4mm L=300	9
10	NAIL_ANCHOR_M6x35_EYE	NAIL ANCHOR M6x35 WITH EYE	9

Material:		Part number: ST24_R0_A90_06000600_AS	
Finish:		Description: T24 SYSTEM 600x600	
Unless Otherwise Stated: Linear Tol.: ±0.2, Angular Tol.: 0°15' Surface Finish: 0.8µm All Dimensions: mm Drawing Scale: 1:50		This drawing and any information or descriptive material set out on it are the confidential and copyright property of TRE C and MUST NOT BE DISCLOSED, COPIED, LOANED in whole or part or used for any purpose without our written permission.	
Approx Weight: Kg	Drawing Produced In Accordance With: ISO 128	Company Confidential  false ceiling systems insulating panels soundproofing cabins Via Piani dei Resinelli, 9 22036 Erba(CO) ITALY www.trec.it - info@trec.it	
Projection Method: FIRST ANGLE	Sheet Size: A3		
		Drawn by: sergio.avaro	Drawn Date: 18/04/2023
		Checked/Approved by: alessio.maggi	Approved Date: 27/02/2024
		Drawing number:	 Sheet: 1 of 1 Revision: A