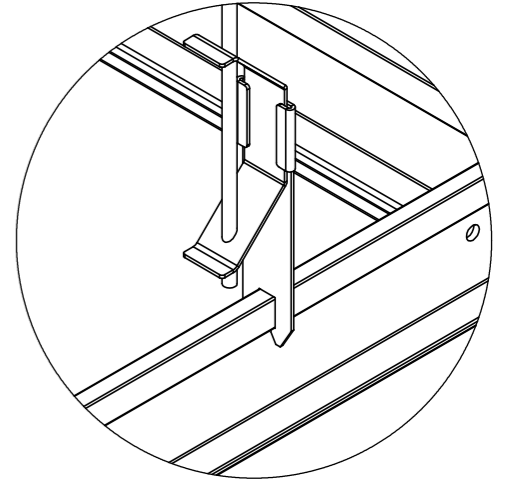
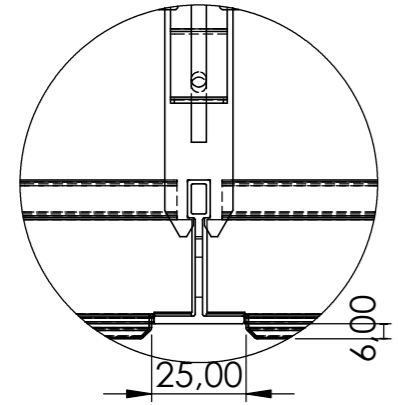


T24 R6 A45



#	ITEM	DESCRIPTION	QTY.
1	W_T24_PORT_38X24_3600	T24 PRIMARY RUNNER L=3600	3
5	W_T24_INT_38X24X1200	T24 SECONDARY RUNNER L=1200	12
6	W_T24_INT_38X24X600	T24 SECONDARY RUNNER L=600	10
7	W_T24_SOSP-DIR_MOLL	SPRING SUSPENSION T24 PROFILE WIRE HANGER	9
9	NAIL_ANCHOR_M6X35_EYE	NAIL ANCHOR M6X35 WITH EYE	9
10	ST24_R6_A45_06000600	T24 PANEL - DROP 6 mm BEVELLED EDGE 45°	20

Material:		Part number: ST24_R6_A45_06000600_AS	
Finish:		Description: T24 SYSTEM DROP 6mm 45 DEGREES 600x600	
Unless Otherwise Stated: Linear Tol.: ±0.2, Angular Tol.: 0°15' Surface Finish: 0.8µm All Dimensions: mm Drawing Scale: 1:50		This drawing and any information or descriptive material set out on it are the confidential and copyright property of TRE C and MUST NOT BE DISCLOSED, COPIED, LOANED in whole or part or used for any purpose without our written permission.	
Approx Weight: Kg		Drawing Produced In Accordance With: ISO 128	
Projection Method: FIRST ANGLE		Sheet Size: A3	
		false ceiling systems insulating panels soundproofing cabins Via Piani dei Resinelli, 9 22036 Erba(CO) ITALY www.trec.it - info@trec.it	
		Drawn by: sergio.avaro Checked/Approved by: alessio.maggi Drawing number:	
		Drawn Date: 18/04/2023 Approved Date: 19/04/2023 	
		Sheet: 1 of 1 Revision: A	