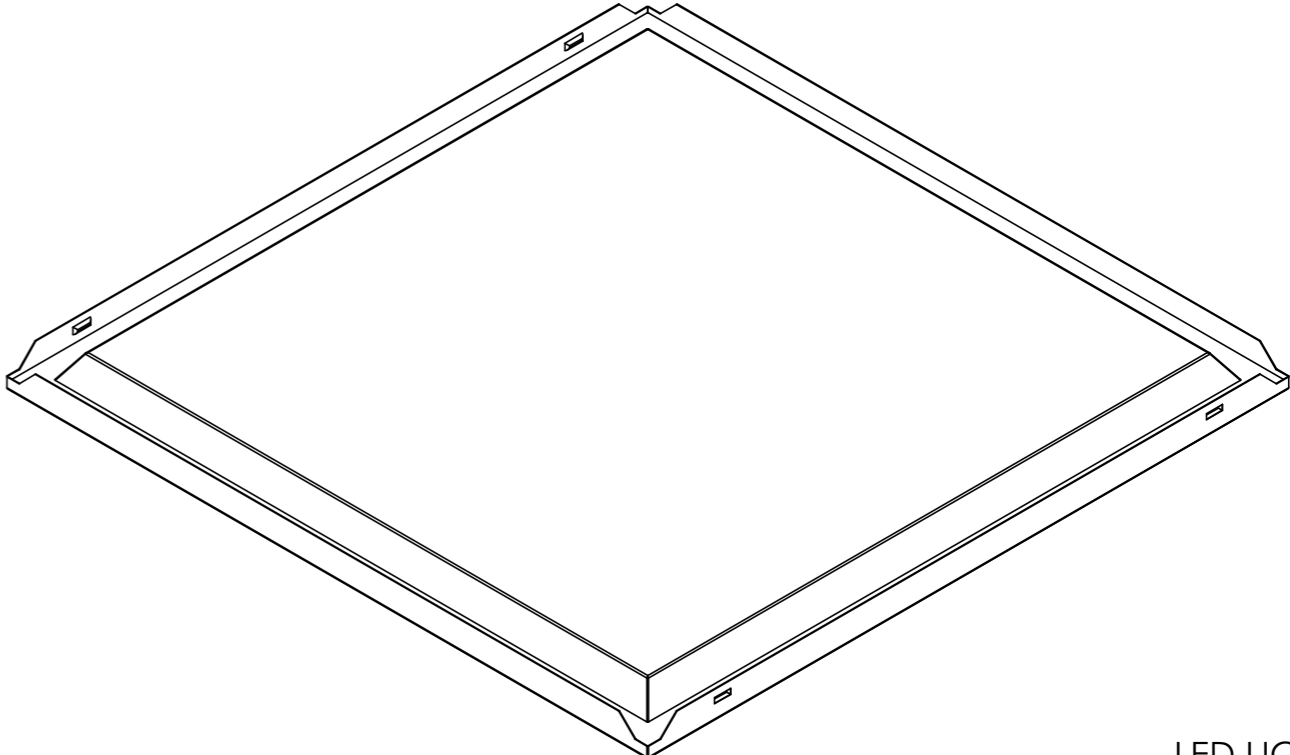
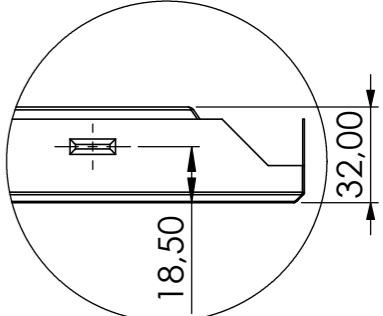


DETAIL A
SCALE 2 : 5



**LED LIGHTING
PANEL FOR
CLIP-IN SYSTEM**

COLOUR - HOUSING	WHITE
DIFFUSER	PRISMATIC TECHNOPOLYMER
UGR	UGR<22, EN 12464.
NOMINAL FREQUENCY	50 Hz
VOLTAGE TYPE	AC
MIN VOLTAGE (V)	220 V
MAX VOLTAGE (V)	240 V
MIN FREQUENCY (Hz)	50 Hz
MAX FREQUENCY (Hz)	60 Hz
LOW FLICKER	LUMINAIRE WITH VERY LOW FLICKER
POWER FACTOR	≥ 0.95
OUTPUT LUMINOUS FLUX	4464 LM
TOTAL SYSTEM POWER	39 W
CCT	4000 K
COLOUR CONSISTENCY	SDCM3
LUMINOUS EFFICACY	114 LM/W
LED RATED LIFE - (H)	50000 HR
PHOTOBIOLOGICAL RISK	RG0
REGULATIONS	EN60598-1. PROTECTION ACC. TO EN60529
MARKINGS - CERTIFICATIONS	ENEC
ELECTRICAL INSULATION CLASS	CLASS II
ENERGY LABEL	E

Material:		Part number: W_SCLS4506000600_LAMP_AS	
Finish:		Description: CLIP-IN CEILING PANEL WITH INTEGRATED LED LAMP	
Unless Otherwise Stated: Linear Tol.: ±0.2, Angular Tol.: 0°15' Surface Finish: 0.8µm All Dimensions: mm Drawing Scale: 1:10		Drawing code:	Drawn by: sergio.avaro Checked/Approved by: alessio.maggi
Approx Weight: Kg		Drawing Produced In Accordance With: ISO 128	Drawn Date: 18/02/2020 Approved Date: 18/02/2020
Projection Method: FIRST ANGLE 		Company Confidential	Approved Date: 18/02/2020
Sheet Size: A3		 TRE C false ceiling systems insulating panels soundproofing cabins Via Piani dei Resinelli, 9 22036 Erba(CO) ITALY www.trec.it - info@trec.it	This drawing and any information or descriptive material set out on it are the confidential and copyright property of TRE C and MUST NOT BE DISCLOSED, COPIED, LOANED in whole or part or used for any purpose without our written permission.
		Sheet: 1 of 1	Revision: 0497/24