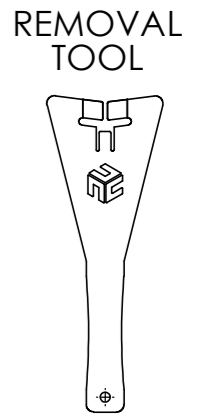
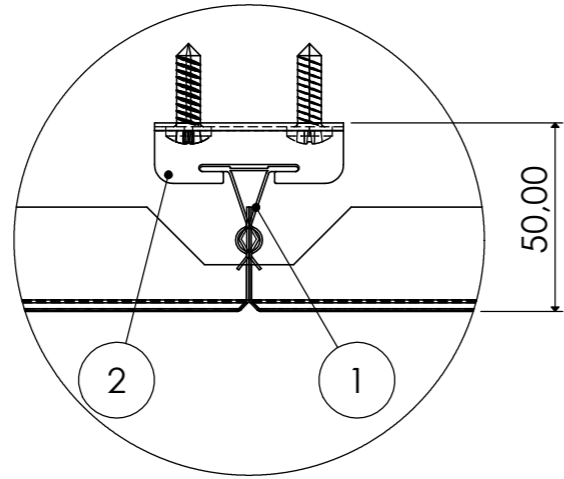
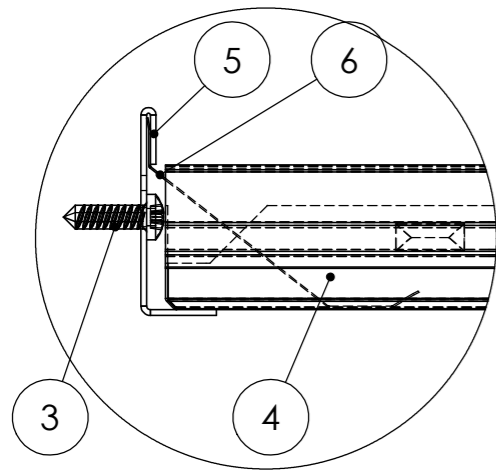


**DETAIL A**  
SCALE 1 : 2

**DETAIL B**  
SCALE 1 : 2



#	ITEM	DESCRIPTION
1	W_PTR	TRIANGLE PROFILE
2	W_SOPTR-DIRECT	TRIANGLE PROFILE DIRECT SUSPENSION
3	SCREW_CROSS_6-3X22	SCREW CROSS HEAD 6.3X22
4	SCL06000600S3	CLIP-IN PANEL 600X600 S3
5	NAV_L_PROFILE_20X55_TH15	PERIMETER TRIM 20X55 TH 1.5mm
6	NAV_PERIMETER_SPRING_CPR	PERIMETER SPRING (CPR)

Material:		Part number: <b>W_CLIP-IN_DIRECT_600x600_S45_AS</b>	
Finish:		Description: <b>CLIP-IN SYSTEM DIRECT SUSPENSION</b>	
Unless Otherwise Stated: Linear Tol.: ±0.2, Angular Tol.: 0°15' Surface Finish: 0.8µm All Dimensions: mm Drawing Scale: <b>1:50</b>		Drawing code:	Drawn by: <b>sergio.avaro</b> Checked/Approved by: <b>alessio.maggi</b>
Approx Weight: Kg	Drawing Produced In Accordance With: <b>ISO 128</b>	Drawn Date: <b>07/06/2023</b> Approved Date: <b>07/06/2023</b>	
Projection Method: <b>FIRST ANGLE</b>	Sheet Size: <b>A3</b>	<p><b>Company Confidential</b></p> <p>false ceiling systems insulating panels soundproofing cabins Via Piani dei Resinelli, 9 22036 Erba(CO) ITALY <a href="http://www.trec.it">www.trec.it</a> - <a href="mailto:info@trec.it">info@trec.it</a></p> <p>This drawing and any information or descriptive material set out on it are the confidential and copyright property of TRE C and MUST NOT BE DISCLOSED, COPIED, LOANED in whole or part or used for any purpose without our written permission.</p>	
		Sheet: <b>1 of 1</b>	Revision: <b>A</b>