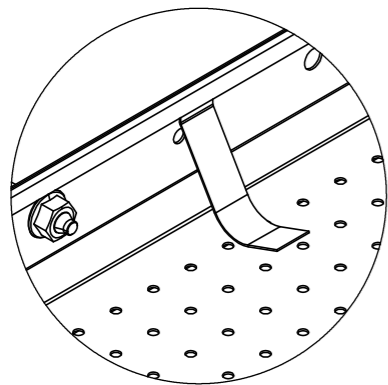


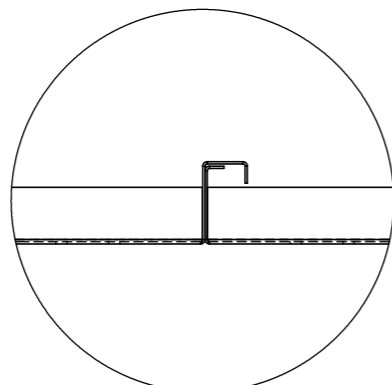
DETAIL A

SCALE 1 : 2



DETAIL B

SCALE 1 : 2



#	ITEM	Description	Qty.
1	W_CORRIDOR_300_L1600	CORRIDOR SYSTEM 300 PANEL	9
2	W_PL_20x40	PERIMETER TRIM "L" 40x20	2
3	W_MOLL_40x20	PANEL LOCKING SPRING FOR PERIMETER TRIM 40x20	18
4	W_EXP-BOLT_M6x30	EXPANSION BOLT M6x30	20

Material:		Part number: W_CORRIDOR_300_L1600_AS	
Finish:		Description: CORRIDOR SYSTEM 300	
Unless Otherwise Stated: Linear Tol.: ±0.2, Angular Tol.: 0°15' Surface Finish: 0.8µm All Dimensions: mm Drawing Scale: 1:50		Drawing code:	Drawn by: mario.divalerio Checked/Approved by: alessio.maggi
Approx Weight: Kg		Drawing Produced In Accordance With: ISO 128	
Projection Method: FIRST ANGLE		Sheet Size: A3	
<p>Company Confidential</p> <p>false ceiling systems insulating panels soundproofing cabins Via Piani dei Resinelli, 9 22036 Erba(CO) ITALY www.trec.it - info@trec.it</p>		<p>Drawn Date: 30/07/2024 Approved Date: 30/07/2024</p>	
<p>This drawing and any information or descriptive material set out on it are the confidential and copyright property of TRE C and MUST NOT BE DISCLOSED, COPIED, LOANED in whole or part or used for any purpose without our written permission.</p>		<p>Sheet: 1 of 1 Revision: A</p>	